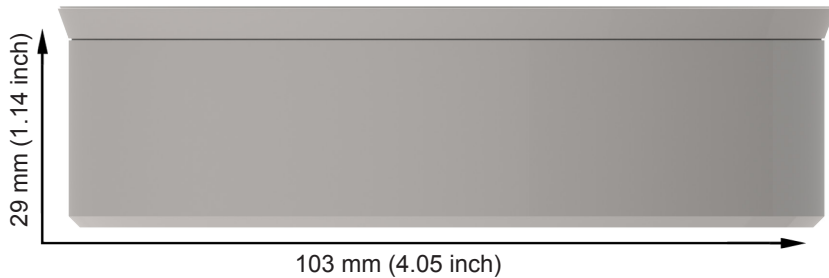


APC BUTTON



ACTUAL SIZE IMAGES

Usage examples

The APC Button is a small, robust and high performance 2.4 GHz indoor access point designed for SOHO and small to medium size enterprise applications. Unobtrusive design and operational robustness make it ideal for permanent installations on high walls or ceilings.

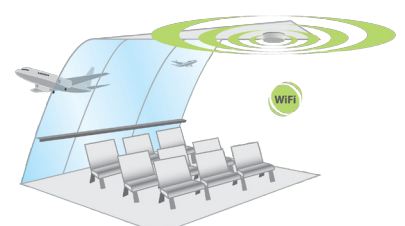
This product is equipped with a high output power (up to 23 dBm) 802.11n MIMO radio which allows effective communication with older 802.11b/g equipment as well as newer standards based devices.

Dual firmware image will allow safe software upgrades. The device will restart using the prior working firmware in the unfortunate event of an upgrade failure.

The APC Button uses an advanced and feature-rich operating system which supports bridge/router and repeater modes (repeater mode allows the product to operate as an access point and as a station at the same time). It also provides a user-friendly Adobe Flex based GUI with instant reconfiguration (without a reboot), installation tools (site survey, delayed reboot, spectrum analyzer, ping, traceroute) and is compatible with our standalone and cloud based Wireless Network Management System (WNMS).



Small/Medium size office



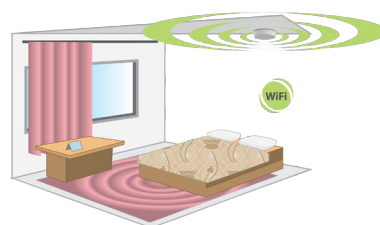
Airport



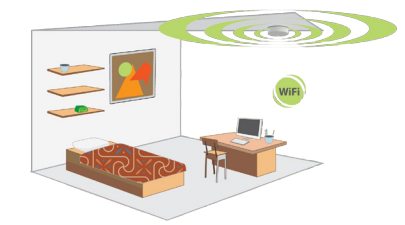
School/University



Restaurant/Bar



Hotel



Home

Wireless

WLAN standard	IEEE 802.11 b/g/n
Radio mode	MIMO 2x2
Operating modes	Access point (auto WDS), Station, Station WDS, Repeater
Radio frequency band	2.402-2.484 GHz
Transmit power	Up to 23 dBm (country dependent)
Receive sensitivity	Varying between -94 and -74 dBm depending on modulation
Channel size	20, 40 MHz
Modulation schemes	802.11 g/n: OFDM (64-QAM, 16-QAM, QPSK, BPSK) 802.11 b: DSS (CCK, DQPSK, DBPSK)
Data rates	802.11 n: 300, 270, 240, 180, 120, 90, 60, 30 Mbps 802.11 g: 54, 48, 36, 24, 18, 12, 9, 6 Mbps 802.11 b: 11, 5.5, 2, 1 Mbps
Error correction	FEC, Selective ARQ
Duplexing scheme	Time division duplex

Receive sensitivity (dBm)	802.11 N	15 Mbps	30 Mbps	45 Mbps	60 Mbps	90 Mbps	120 Mbps	135 Mbps	150 Mbps
		-94	-92	-89	-86	-83	-78	-76	-74
802.11g	30 Mbps	60 Mbps	90 Mbps	120 Mbps	180 Mbps	240 Mbps	270 Mbps	300 Mbps	
	-94	-92	-89	-86	-83	-78	-76	-74	
802.11g	6 Mbps	9 Mbps	12 Mbps	18 Mbps	24 Mbps	36 Mbps	48 Mbps	54 Mbps	
	-94	-93	-92	-90	-87	-84	-79	-77	

Output power (dBm - combined)	802.11 N	15 Mbps	30 Mbps	45 Mbps	60 Mbps	90 Mbps	120 Mbps	135 Mbps	150 Mbps
		23	23	22	22	20	20	17	17
802.11g	30 Mbps	60 Mbps	90 Mbps	120 Mbps	180 Mbps	240 Mbps	270 Mbps	300 Mbps	
	23	23	22	22	20	20	17	17	
802.11g	6 Mbps	9 Mbps	12 Mbps	18 Mbps	24 Mbps	36 Mbps	48 Mbps	54 Mbps	
	23	23	22	22	21	21	19	18	

Antenna

Type	2 x internal omni-directional antenna
Gain	3 dBi

Wired

Interface	10/100 Base-T, RJ45
-----------	---------------------

Networking

Operating modes	Bridge, Router
WAN	Static IP, DHCP client, PPPoE client
NAT	Routing w/ or w/o NAT
Static routing	Supported
DHCP	Client, Server, Relay
Port forwarding	Supported
VLAN	Supported for management and data
Wireless security	WEP, WPA/WPA2 Personal, WPA/WPA2 Enterprise, WMM, WACL
User isolation	Supported

Software

General	Ability to define/limit frequency, channel width, EIRP, modulation
Advanced wireless functionality	ATPC (automatic transmit power control), auto-channel, auto-modulation
Operating mode	Router, bridge
Wireless operating modes	AP auto WDS, station, station WDS, virtual radios (VSSID), repeater
Wireless security	WPA/WPA2 personal, WPA/WPA2 enterprise, WACL, user isolation, UAM (web portal authentication)
Wireless QoS	WMM
WAN protocols	Static IP, DHCP client, PPPoE client
Network	NAT, static routing, firewall, port forwarding, VLAN, traffic shaping
Services	DHCP server, SNMP server, NTP client, alerts, remote syslog, wireless and ethernet statistics, bandwidth limiting
Management	HTTP(S) GUI, SSH CLI, SNMP read, WNMS, troubleshooting file, reset via reset tool
Tools	Site survey, link test, ping, traceroute, spectrum analyzer, delayed reboot

Physical

Dimensions	Length 103 mm (4.05 "), width 103 mm (4.05 "), height 29 mm (1.14 ")
Weight	86 g (3.03 oz)
Power supply	12 - 24 VDC passive PoE (18 V passive PoE adapter is included in the package)
Power source	100 – 240 VAC
Power consumption (max)	3.6 W

Environmental

Operating temperature	0°C (32 F) ~ +55°C (+131 F)
Humidity	0 ~ 90 % (non-condensing)

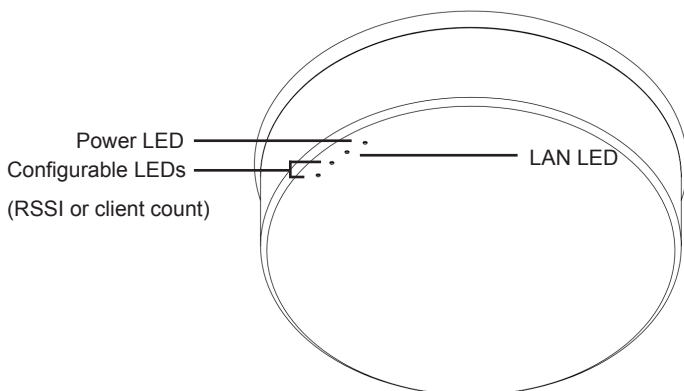
Management

System configuration	User-friendly web GUI, Command line via SSH, centralized Wireless Network Management System, reset via reset tool
System monitoring	SNMP v1/2c/3 server, Syslogs, system alerts via e-mail and SNMP trap

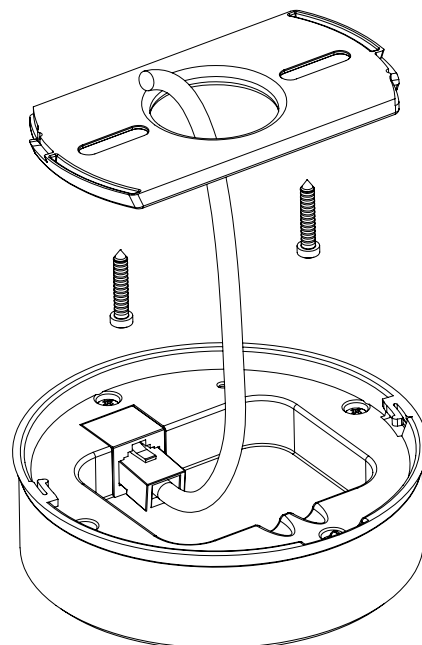
Regulatory

Certification	FCC/CE/Safety/RoHS compliance
---------------	-------------------------------

LED description:



Ceiling/wall mounting scheme:





www.deliberant.com

Copyright © 2013 Deliberant LLC. All rights reserved. Deliberant, the Deliberant logo, are trademarks of Deliberant LLC. All other company and product names may be trademarks of their respective companies. While every effort is made to ensure the information given is accurate, Deliberant does not accept liability for any errors or mistakes which may arise. Specifications and other information in this document may be subject to change without notice.

To learn more about Deliberant products, visit www.deliberant.com.

